

Domestic Appliances

1). Which type of A.C single phase motor is used in food mixer?

- (A) Universal motor
- (B) Repulsion motor
- (C) Split phase motor
- (D) Shaded pole motor

Correct Answer : A

2). Which electrical effect works on electric bells?

- (A) Heating effect
- (B) Magnetic effect
- (C) Chemical effect
- (D) Gas ionization effect

Correct Answer : B

3). Calculate the heat generated in a electric heater of 1000 watt, 240 volt, worked for 5 minutes.

- (A) 0.5 Kilo calories
- (B) 1.0 Kilo calories
- (C) 1.6 Kilo calories
- (D) 2.1 Kilo calories

Correct Answer : C

4). What is the reason for the AC table fan runs very hot?

- (A) Defective starting winding
- (B) Defective centrifugal switch
- (C) Defective regulator
- (D) Wornout bushes

Correct Answer : A

5). Which material is used to make the heating element of cooking range?

- (A) Silver
- (B) Copper
- (C) Nichrome
- (D) Aluminium

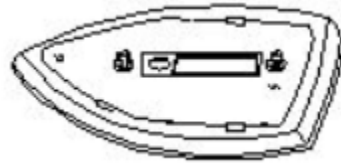
Correct Answer : C

6). What is the function of stirrer motor in micro wave oven?

- (A) Draws cooling air inside
- (B) Spreads the heat uniformly
- (C) Exhausts the hot air outside
- (D) Revolves and reflects the electromagnetic energy

Correct Answer : D

7). What is the name of the part of electric iron as shown in the figure?



- (A) Sole plate
- (B) Pressure plate
- (C) Mica insulation
- (D) Asbestos sheet

Correct Answer : A

8) What is the function of magnetron tube in a microwave oven?

- (A) Amplifies the microwave signal
- (B) Changes the polarity every half cycle
- (C) Oscillate and produce the cooking frequency
- (D) Converts the microwave energy to electrical energy

Correct Answer : C

9). What is the purpose of sole plate in electric kettle?

- (A) Acts as a balancing weight
- (B) Acts as an insulator for element
- (C) Protect the kettle base from damage
- (D) Keep the element in close contact with container

Correct Answer : D

10). What is the temperature range, maintained by thermostat in geyser?

- (A) 60° C to 65° C
- (B) 10° C to 150° C
- (C) 0° C to 130° C
- (D) 0° C to 50° C

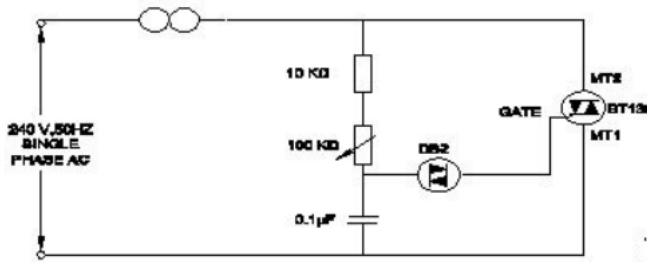
Correct Answer : A

11). What is the fault in a food mixer if it runs intermittently?

- (A) Worn out brushes
- (B) Armature winding open
- (C) Field winding open
- (D) Field winding partially short

Correct Answer : A

12). What is the name of the circuit as shown in the figure?



- (A) Electronic fan regulator
- (B) Electronic voltage multiplier
- (C) Electronic voltage stabilizer
- (D) Electronic triggering circuit of SCR

Correct Answer : A

13). What is the function of the neutral conductor in AC supply system?

- (A) Provides the return current path
- (B) Increases the voltage level
- (C) Reduces the voltage drop in wiring
- (D) Maintains the load current constant

Correct Answer : A

14). Which material is used as heat insulator in between the outer casing and inner tank of a geyser?

- (A) Plastic
- (B) Glass wool
- (C) Paper
- (D) PVC

Correct Answer : B

15). Which type of motor is used in the wet grinder?

- (A) Universal motor
- (B) Repulsion motor
- (C) Capacitor start induction run motor
- (D) Shaded pole motor

Correct Answer : C

16). Which formula is used to calculate the heat generated as per Joules law?

- (A) Heat generated = $IRT / J \text{ cal}$
- (B) Heat generated = $I^2RT / J \text{ cal}$
- (C) Heat generated = $IR^2T / J \text{ cal}$
- (D) Heat generated = $(IR)^2 T / J \text{ cal}$

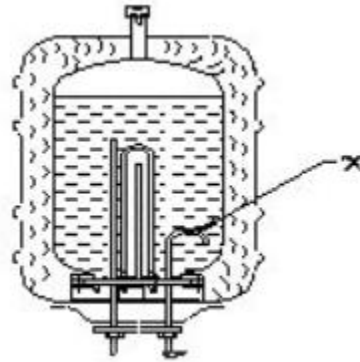
Correct Answer : B

17). Which effect of electric current takes places in the cooking range?

- (A) Magnetic effect
- (B) Heating effect
- (C) Gas ionization effect
- (D) Chemical effect

Correct Answer : B

18). What is the purpose of U bend marked as 'X' in geyser as shown in the figure?



- (A) Prevents draining of water
- (B) Avoids the forming of scales
- (C) Reduces the pressure of outlet pipe
- (D) Restricts the air locking inside the tank

Correct Answer : A

19). What is the defect in a single phase capacitor start pump motor if it runs with slow speed?

- (A) Defective capacitor
- (B) Open starting winding
- (C) Short in starting winding
- (D) Short in running winding

Correct Answer : A

20). What is the function of the rotary switch in food mixer?

- (A) Over load protection
- (B) For reverse rotation
- (C) Over current protection
- (D) Speed selection

Correct Answer : D