

1). What is the effect of using matches to ignite the acetylene gas from the tip of the nozzle?

- (A) Does not catch fire
- (B) More smoke
- (C) Hand will get burned
- (D) Explodes suddenly

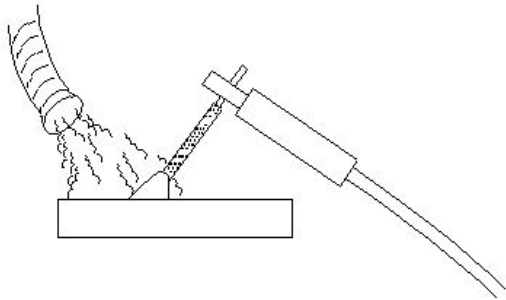
Correct Answer: C

2). Which arc welding machine provides better heat distribution in the electrode and the job?

- (A) Rectifier set
- (B) Motor generator set
- (C) Welding transformer
- (D) Engine generator set

Correct Answer: A

3). What is the name of the safety operation carried out in welding plant shown in the figure?



- (A) Compressor used to force out fuses
- (B) Cooling the surface to clear gases
- (C) Water forced to clean the surface
- (D) Exhaust duct capture fumes and gases

Correct Answer: D

4). Which defect is caused by the absorption of atmospheric Oxygen and Nitrogen by the molten metal in CO₂ welding?

- (A) Overlap and run out
- (B) Weak and porous weld
- (C) Complete penetration
- (D) Excess wide bead

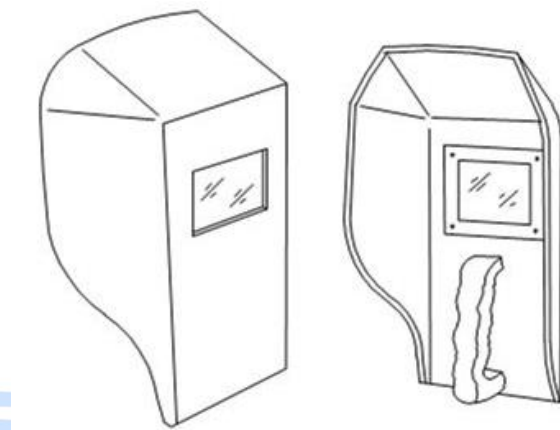
Correct Answer: B

5). What is the pressure maintained in acetylene cylinder?

- (A) 150 kg/cm²
- (B) 15 kg/cm²
- (C) 0.017 kg/cm²
- (D) 120 kg/cm²

Correct Answer: B

6). What is the name of the PPE shown in the figure?



- (A) Portable screen
- (B) Chipping goggles
- (C) Welding hand screen
- (D) Welding helmet screen

Correct Answer: C

7). Which welding machine is designed to supply both A.C and D.C current for welding ferrous and non-ferrous metals using all types of electrode?

- (A) Rectifier set
- (B) Transformer set
- (C) Motor generator set
- (D) Engine generator set

Correct Answer: A

8). Which term refers to the metal deposited during one pass of an electrode?

- (A) Backing run
- (B) Root run
- (C) Run
- (D) Sealing run

Correct Answer: C

9). Which prevents the high pressure oxygen from entering into the acetylene pipe line in gas welding?

- (A) Nozzle
- (B) Injector
- (C) Accumulator
- (D) Pressure valve

Correct Answer: B

10). Which welding hand tool is used to hold and manipulate the electrode?

- (A) Electrode holder
- (B) Earth clamp
- (C) Tongs
- (D) Spring loaded clamp

Correct Answer: A

11). What is the storing capacity of an oxygen cylinder?

- (A) 7 m³
- (B) 10 m³
- (C) 14 m³
- (D) 15 m³

Correct Answer: A

12). Which colour is painted on the acetylene gas cylinders?

- (A) Black
- (B) Green
- (C) Blue
- (D) Maroon

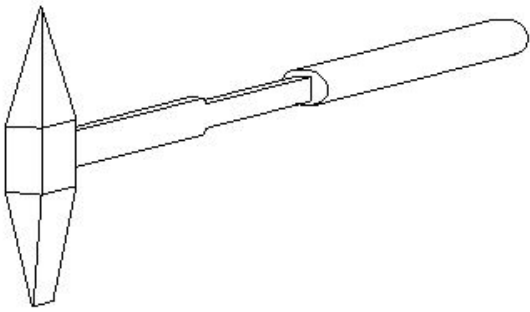
Correct Answer: D

13). Which hand tool is used to handle the hot metal in welding?

- (A) Snips
- (B) Tongs
- (C) Shovel
- (D) Poker

Correct Answer: B

14). What is the name of the hand tool shown in the figure?



- (A) Straight pein hammer
- (B) Ball-pein hammer
- (C) Chipping hammer
- (D) Cross-pein hammer

Correct Answer: C

15). What is the function of AC welding transformer?

- (A) It changes to low voltage and high current ampere
- (B) It changes to high voltage and low current ampere
- (C) It changes to low voltage and low current ampere
- (D) It changes to high voltage and high current ampere

Correct Answer: A