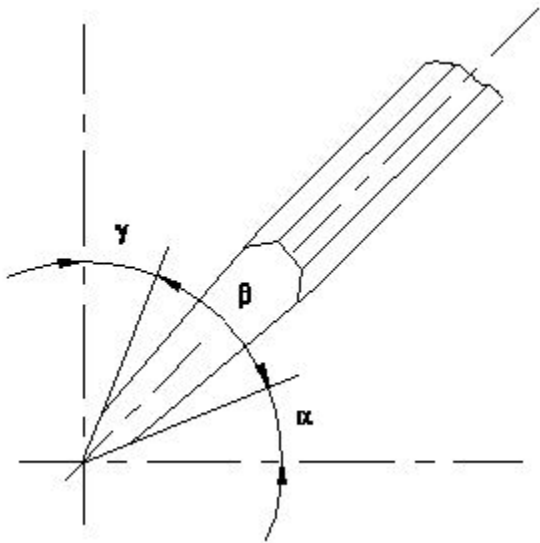


1). Which type of file is used to make the job closer to the finishing size?

- (A) Single cut file
- (B) Curved cut file
- (C) Second cut file
- (D) Double cut file

Correct Answer: C

2). Which angle is represented by the symbol " $\gamma$ " on the cutting chisel shown in the figure?



- (A) Rake angle
- (B) Wedge angle
- (C) Cutting angle
- (D) Clearance angle

Correct Answer: A

3). How can you correct the digging of a hammer while striking?

- (A) Giving slight convexity on face
- (B) Giving slight convexity on cheek
- (C) Giving slight concavity on cheek
- (D) Giving slight concavity on face

Correct Answer: A

4). How should one avoid accidents in a workplace?

- (A) Doing work in ancient way
- (B) Doing work in one's own way
- (C) Not observing safety procedure
- (D) Observing safety rules in all aspects

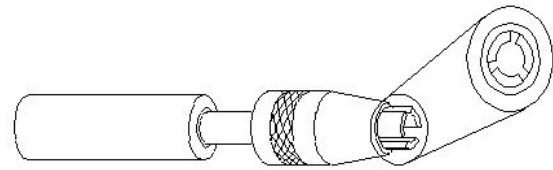
Correct Answer: D

5). How do you stop bleeding in an injured person?

- (A) Tie bandage over the wound
- (B) Apply ointment over the wound
- (C) Apply tincture over the wound
- (D) Apply pressure over the wound

Correct Answer: D

6). What is the name of the vice shown in the figure?



- (A) Pin vice
- (B) Pipe vice
- (C) Hand vice
- (D) Machine vice

Correct Answer: A

7). How do you use the fire extinguishers to stop fire?

- (A) Pull, Sweep, Aim, Squeeze
- (B) Pull, Aim, Squeeze, Sweep
- (C) Aim, Pull, Squeeze, Sweep
- (D) Aim, Squeeze, Pull, Sweep

Correct Answer: B

8). What is the bin colour code for waste paper segregation?

- (A) Red
- (B) Blue
- (C) Black
- (D) Green

Correct Answer: B

9). Which material is used to make bench vice?

- (A) Tool steel
- (B) High carbon steel
- (C) Medium carbon steel
- (D) Cast iron

Correct Answer: D

10). Which part of the bevel protractor comes in contact with the inclined surface while measuring?

- (A) Dial
- (B) Disc
- (C) Blade
- (D) Stock

Correct Answer: C

11). What is the advantage of waste disposal?

- (A) Uses lot of energy and resources
- (B) Increases adverse impact on environment
- (C) Ensures workshop is neat and tidy
- (D) Reduces economic efficiency

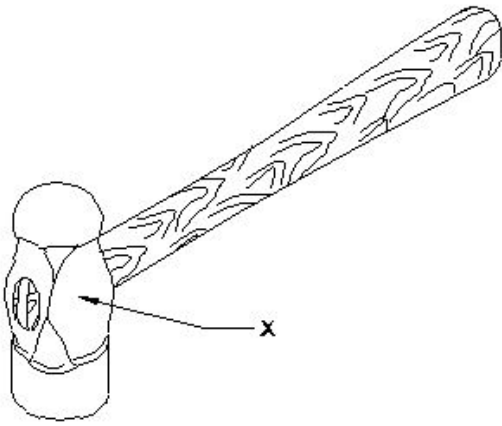
Correct Answer: C

12). Which vice is used to hold hollow cylindrical jobs?

- (A) Pin vice
- (B) Pipe vice
- (C) Hand vice
- (D) Bench vice

Correct Answer: B

13). What is the name of the part of a hammer marked as 'X' shown in the figure?



- (A) Face
- (B) Pein
- (C) Cheek
- (D) Eye hole

Correct Answer: C

14). Which hand tool is used to finish the sharpened divider point?

- (A) File
- (B) Grinder
- (C) Scraper
- (D) Oil stone

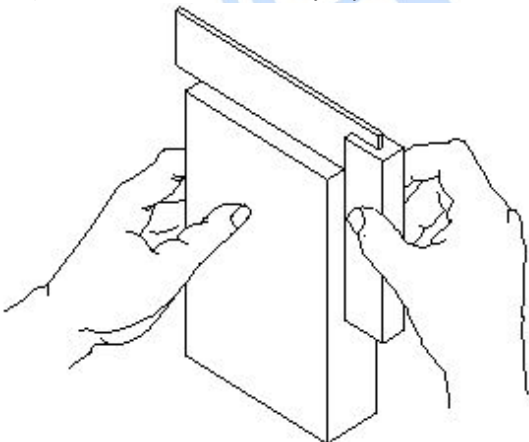
Correct Answer: D

15). Which effect occurs if the clearance angle of the chisel is low during chipping?

- (A) Chisel will slip
- (B) Cutting edge digs in
- (C) Cutting edge will break
- (D) Chisel will move freely

Correct Answer : A

16). What is the use of try square shown in the figure?



- (A) To check the flatness
- (B) To check the squareness
- (C) To mark lines at 90°
- (D) To set the workpiece at right angle

Correct Answer: B

17). Which file has parallel edges throughout the length?

- (A) Hand file
- (B) Bastard file
- (C) Rasp cut file
- (D) Single cut file

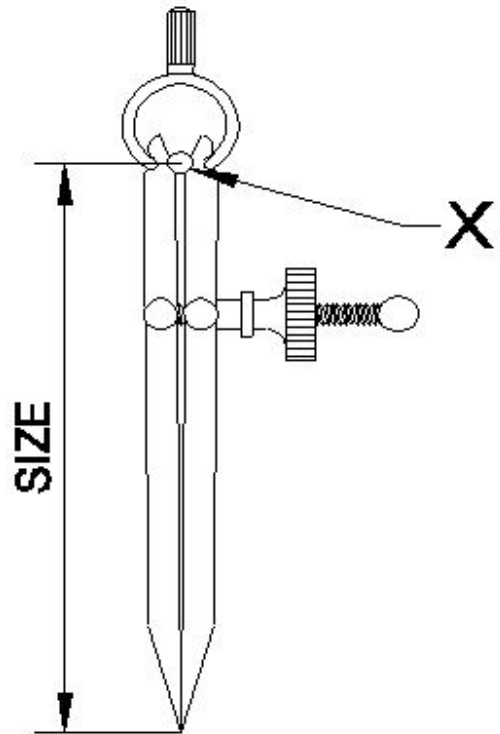
Correct Answer: A

18). Which class of fire is caused by fire wood, paper or cloth?

- (A) Class 'A' fire
- (B) Class 'B' fire
- (C) Class 'C' fire
- (D) Class 'D' fire

Correct Answer: A

19). What is the name of the part marked as 'X' shown in the figure?



- (A) Leg
- (B) Peg
- (C) Washer
- (D) Fulcrum

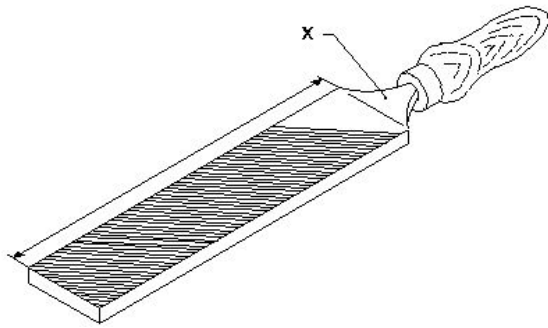
Correct Answer: D

20). What is the name of the angle between the axis of chisel and the job surface while chipping?

- (A) Rake angle
- (B) Point angle
- (C) Clearance angle
- (D) Angle of inclination

Correct Answer: D

21). What is the name of the part marked as "X" shown in the figure?



- (C) Outside caliper
  - (D) Spring joint caliper
- Correct Answer: A

- (A) Heel
- (B) Tang
- (C) Ferrule
- (D) File length

Correct Answer: B

22). What is the accuracy of Vernier bevel protractor?

- (A) 1°
- (B) 5°
- (C) 5'
- (D) 5"

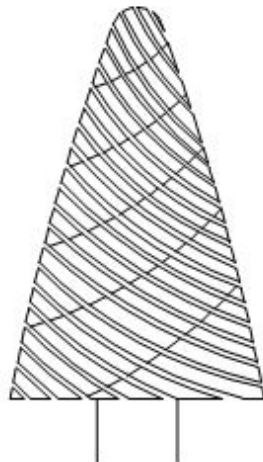
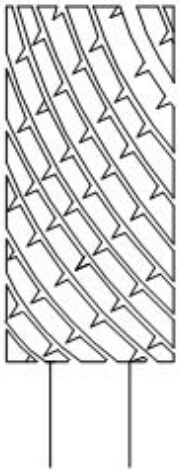
Correct Answer: C

23). What is the use of groove provided on the either side of a vee-block?

- (A) For appearance
- (B) For reducing the weight
- (C) To reduce bearing surface
- (D) Holding clamps

Correct Answer: D

24). What is the name of the file shown in the figure?



- (A) Rotary file
- (B) Tinkers file
- (C) Barrette file
- (D) Crossing file

Correct Answer: A

25). Which caliper has one leg with an adjustable divider point and the other leg bent?

- (A) Jenny caliper
- (B) Inside caliper

