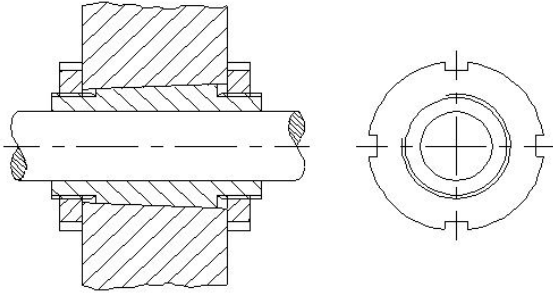


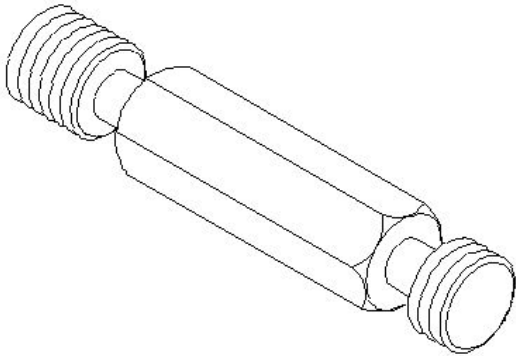
1). How the wear in adjustable bearing is rectified as shown in the figure?



- (A) By placing the shim at equal intervals
- (B) By coating hard material on the housing
- (C) By punching the housing at equal intervals
- (D) By adjusting the slotted nut?

Correct Answer: D

2). What is the name of the gauge shown in the figure?



- (A) Thread ring gauge
- (B) Thread plug gauge
- (C) Screw pitch gauge
- (D) Thread caliper gauge

Correct Answer: B

3). Which bearing material is used for light load and low speed application?

- (A) Cast iron
- (B) Tin bronze
- (C) Cadmium based alloy
- (D) Copper and lead alloys

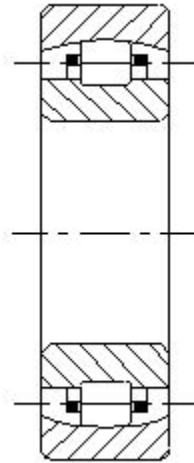
Correct Answer: A

4). Why extra clearance is provided between bearing and journal in the aluminum alloy bearing?

- (A) Lubricant to flow freely
- (B) For corrosion resistance
- (C) To prevent wear resistance
- (D) To overcome high thermal expansion

Correct Answer: D

5). What is the name of the bearing shown in the figure?



- (A) Roller bearing
- (B) Needle bearing
- (C) Angular contact bearing
- (D) Self aligning roller contact bearing

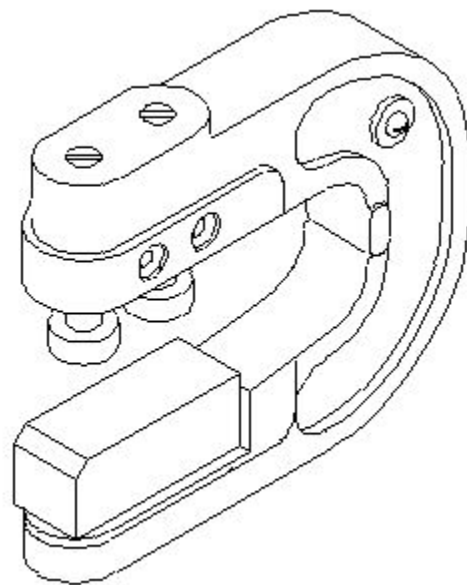
Correct Answer: D

6). Why is the Go end made longer than the No go end in a Go and No-go gauge?

- (A) To check the part for correct dimension |
- (B) To check the taper on the dimensions
- (C) To check the part for longer length
- (D) To distinguish easily

Correct Answer: D

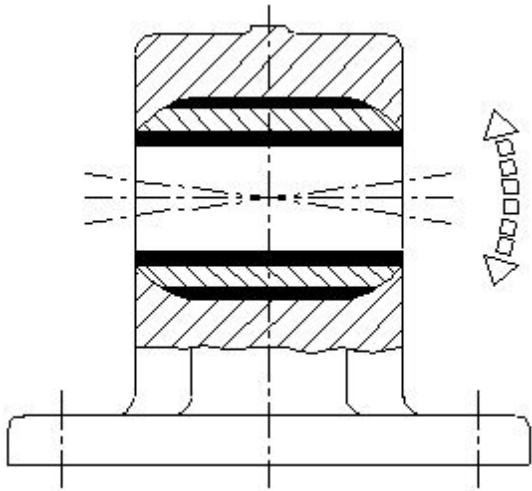
7). What is the name of the gauge shown in the figure?



- (A) Plain snap gauge
- (B) Adjustable snap gauge
- (C) Threaded snap gauge
- (D) Caliper gauge

Correct Answer: B

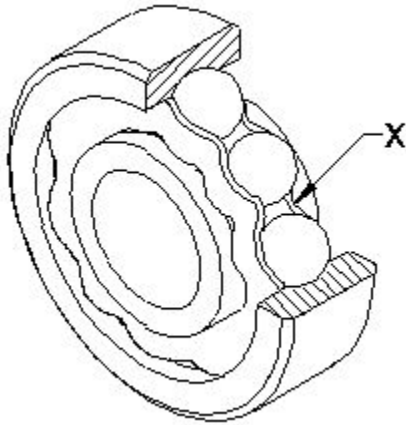
8). What is the name of the bearing shown in the figure?



- (A) Plain bearing
- (B) Bush bearing
- (C) Solid bearing
- (D) Self aligning bush

Correct Answer: D

9). What is the name of the part marked as 'X' shown in the figure?



- (A) Inner race
- (B) Outer race
- (C) Ball cage
- (D) Ball

Correct Answer: C

10). How can you find incorrect taper components using a taper ring gauge?

- (A) By not entering
- (B) By fully passing through
- (C) By half passing through
- (D) By wobbling gauge and work piece

Correct Answer: D

11). What will be the result if rolling contact bearing is fitted too tight instead of having proper recommended fit

- (A) Power will not be transmitted
 - (B) Rollers will get jammed
 - (C) Rollers will not have contact with the outer race
 - (D) More power will be transmitted
- Correct Answer: B

12). What is the purpose of double row ball bearing?

- (A) To carry axial load
 - (B) To carry radial load
 - (C) To carry bi-directional axial load
 - (D) To carry radial and thrust load
- Correct Answer: D

13). What is the purpose of ring gauge? (A) To check the hole diameter

- (B) To check the shaft diameter
- (C) To check the tapered shaft diameter
- (D) To check the internal thread

Correct Answer: B

14). What is the reason it is recommended to use back-to-back or face-to-face matched pairs in double row angular contact ball bearings?

- (A) Carries radial load only
- (B) Carries axial load only
- (C) Carries radial and axial load in one direction
- (D) Carries radial and axial load in both directions

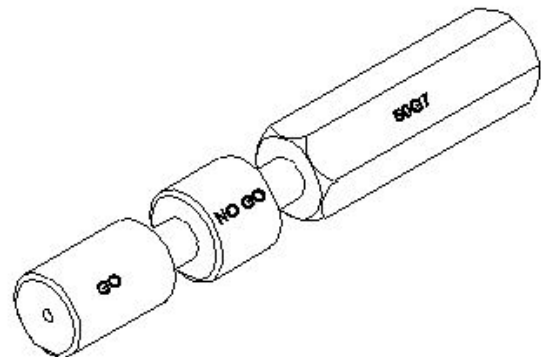
Correct Answer: D

15). Which bearing carries the load parallel to its axis?

- (A) Split bearing
- (B) Plain bearing
- (C) Thrust bearing
- (D) Radial bearing

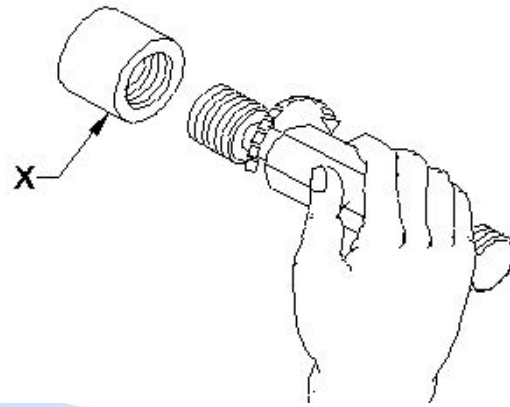
Correct Answer: C

16). What is the name of the limit gauge shown in the figure?

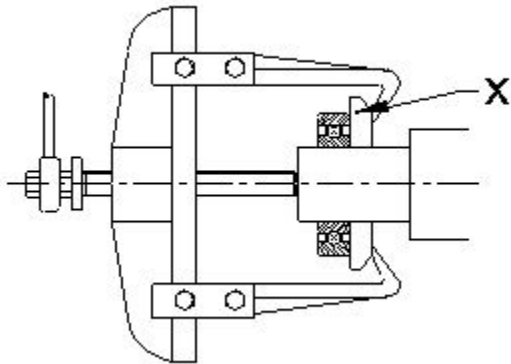


- (A) Plain ring gauge
- (B) Taper plug gauge
- (C) Progressive plug gauge
- (D) Double ended plug

Correct Answer: C



17). What is the name of the part marked as 'X' shown in the figure?



- (A) Ring
- (B) Plug gauge
- (C) Thread gauge
- (D) Work piece

Correct Answer: D

- (A) Leg
- (B) Puller
- (C) Bearing
- (D) Puller plate

Correct Answer: D

18). What will be the result if rolling contact bearing is fitted too loose instead of having proper recommended fit?

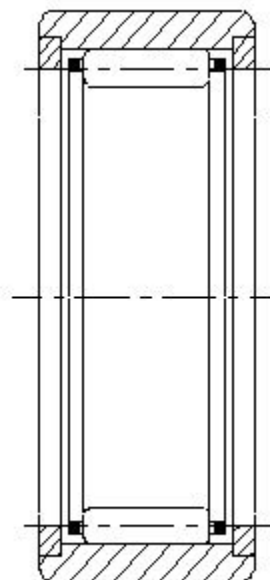
- (A) It will not take the load
 - (B) Heat will be generated
 - (C) Roller will not have contact with the inner race
 - (D) Roller will get jammed with the outer race
- Correct Answer: A

19). Which ball bearings are used to accommodate slight misalignments of the shaft?

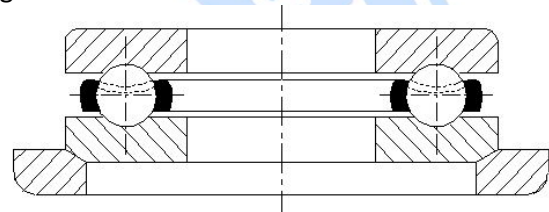
- (A) Plain bearing
- (B) Ball bearing
- (C) Double row ball bearing
- (D) Self aligning ball bearing

Correct Answer: D

20). What is the name of the part marked as 'X' shown in the figure?



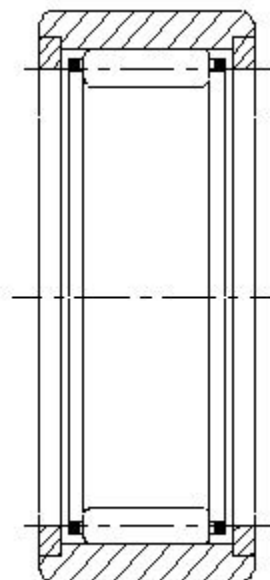
21). What is the name of the bearing shown in the figure?



- (A) Roller bearing
- (B) Double roller bearing
- (C) Thrust bearing
- (D) Special thrust bearing

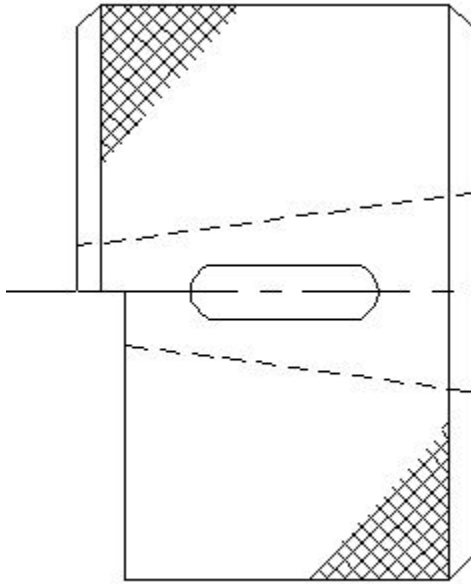
Correct Answer: D

22). What is the name of the bearing shown in the figure?



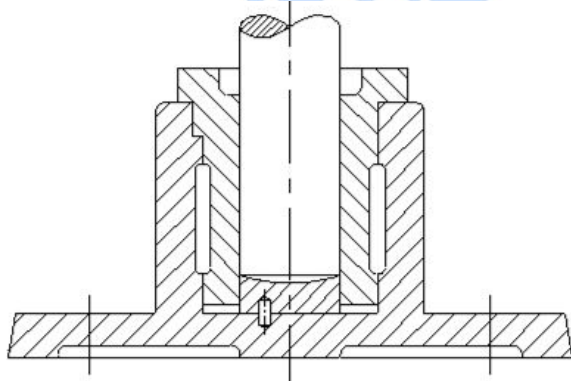
- (A) Needle bearing
- (B) Thrust ball bearing
- (C) Taper roller
- (D) Angular contact ball bearing Correct Answer: A

23). What is the name of the gauge shown in the figure??



- (A) Ring gauge
 - (B) Snap gauge
 - (C) Taper ring gauge
 - (D) Thread plug gauge
- Correct Answer: C

24). What is the name of the bearing shown in the figure?



- (A) Ball bearing
 - (B) Roller bearing
 - (C) Thrust bearing
 - (D) Journal bearing
- Correct Answer: C

25). Which type of bearing is used for taking high axial thrust load?

- (A) Roller bearing
- (B) Tapered roller bearing
- (C) Self align roller bearing
- (D) Angular contact ball bearing Correct Answer: B

