

- 1). What is the purpose of dowel pins in assembly?
 (A) Perfect alignment & quicker disassembly
 (B) Imperfect alignment
 (C) Slow disassembly
 (D) Easy maintenance

Correct Answer: A

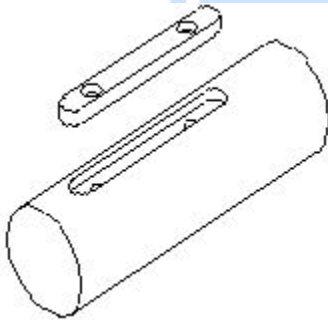
- 2). What is the taper ratio of Gib head key way?
 (A) 1:19
 (B) 1:20
 (C) 1:50
 (D) 1:100

Correct Answer: D

- 3). What is the purpose of key?
 (A) To transmit torque
 (B) For assembly purpose
 (C) To lock the assembly part
 (D) To permit clearance between mating parts

Correct Answer: A

- 4). What is the name of the key shown in the figure?



- (A) Sunk key
 (B) Feather key
 (C) Flat saddle key
 (D) Hollow saddle key

Correct Answer: B

- 5). What is the use of air ratchet wrench?

- (A) High speed and less torque
 (B) Low speed
 (C) More torque
 (D) High speed and more torque

Correct Answer: A

- 6). What is the use of rotary files?

- (A) To finish sharp corners
 (B) To sharpening wood-working saws
 (C) Die sinking and mould-making work
 (D) Finish the automobile bodies, after tinkering

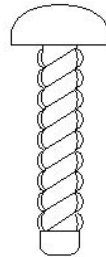
Correct Answer: C

- 7). Which file is used for silversmith 's work?

- (A) Min saw file
 (B) Riffle file
 (C) Pillar file
 (D) Warding file

Correct Answer: B

- 8). What is the name of the screw shown in the figure?



- (A) Grub screw
 (B) Drive screw
 (C) Self tapping screw
 (D) Thread cutting screw

Correct Answer: B

- 9). What is the use of round key in assembly?

- (A) Secure the component with light torque
 (B) High torque
 (C) Unidirectional torque
 (D) Slide along the shaft

Correct Answer: A

- 10). Which file that has sharp and parallel teeth is used on soft and non-metallic materials?

- (A) Pillar file
 (B) Tinker file
 (C) Dread naught file
 (D) Warding file

Correct Answer: C

- 11). Which file used for delicate and intricate work?

- (A) Swiss pattern file
 (B) Pillar file
 (C) Dread naught file
 (D) Warding file

Correct Answer: A

- 12). Which file is used for finishing sharp corners?

- (A) Pillar file
 (B) Riffle file
 (C) Barrette file
 (D) Warding file

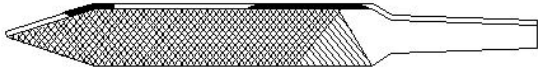
Correct Answer: C

13). What is used for placing the instruments during working?

- (A) Wooden blank
- (B) Felt pad
- (C) Steel sheet
- (D) Cloth

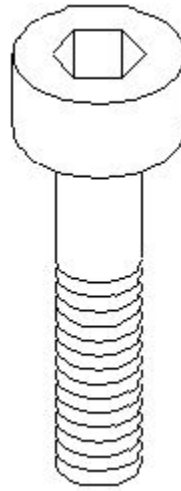
Correct Answer: B

14). What is the name of the file shown in the figure?



- (A) Pillar file
- (B) Warding file
- (C) Dread naught file
- (D) Swiss pattern file

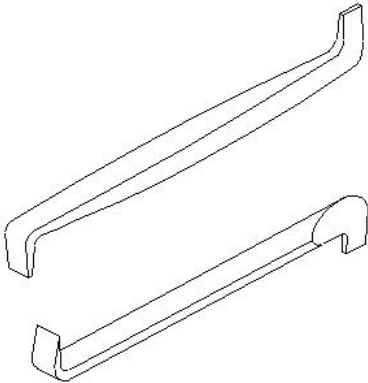
Correct Answer: B



- (A) Hexagon socket head cap screw
- (B) Hexagon head screw
- (C) Counter sink head screw
- (D) Raised cheese head screw

Correct Answer: A

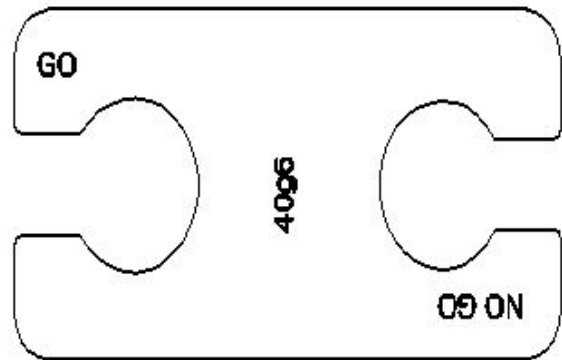
15). What is the name of the screw driver shown in the figure?



- (A) Offset screw driver
- (B) Philips screw driver
- (C) Standard screw driver
- (D) Heavy duty screw driver

Correct Answer: A

17). What is the name of the gauge shown in the figure?

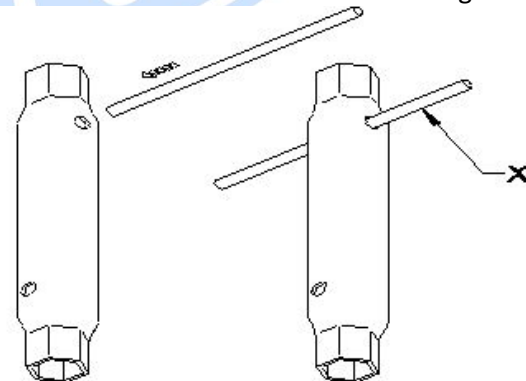


- (A) Taper gauge
- (B) Snap gauge
- (C) Progressive plug gauge
- (D) Double end plug gauge

Correct Answer: B

16). Which type of screw is shown in the figure?

18). What is the name of the part of tubular box spanner marked as 'x' shown in the figure?



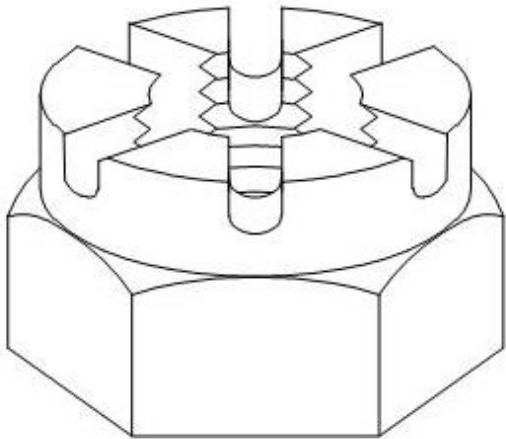
(A) Handle

- (B) Body
 - (C) Head
 - (D) Tommy bar
- Correct Answer: D

19). Which file is used for lock repair and filing hard notches in keys?

- (A) Pillar file
 - (B) Flexible file
 - (C) Warding file
 - (D) Swiss pattern file
- Correct Answer: C

20). What is the name of the nut shown in the figure?



- (A) Castle nut
 - (B) Slotted nut
 - (C) T - Nut
 - (D) Cap nut
- Correct Answer: A

21). What effect does viewing a bar-type torque wrench at an angle have on the reading?

- (A) Correct reading
 - (B) False reading
 - (C) Slight error
 - (D) More error
- Correct Answer: B

22). What is the use of ruffle ' s file?

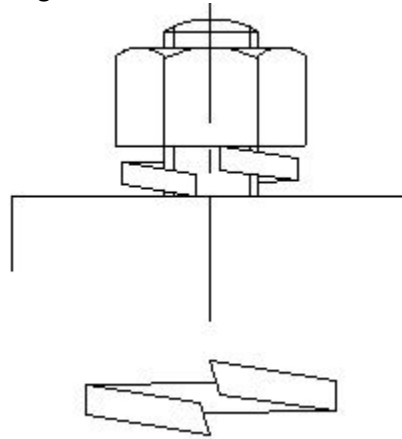
- (A) Finishing sharp corners
 - (B) Lock repair
 - (C) Silversmith work
 - (D) Mold - making work
- Correct Answer: C

23). Which special file is used in narrow work pieces?

- (A) Pillar file
- (B) Square file
- (C) Dread naught file

- (D) Swiss pattern file
- Correct Answer: A

24). What is the name of the locking device shown in the figure?



- (A) Tab washer
 - (B) Locking plate
 - (C) Lock washer
 - (D) Spring washer
- Correct Answer: D

25). What is checked using a template?

- (A) Diameter of shaft
 - (B) Pitch of holes
 - (C) Hole size
 - (D) Contour profile of a work piece
- Correct Answer: D